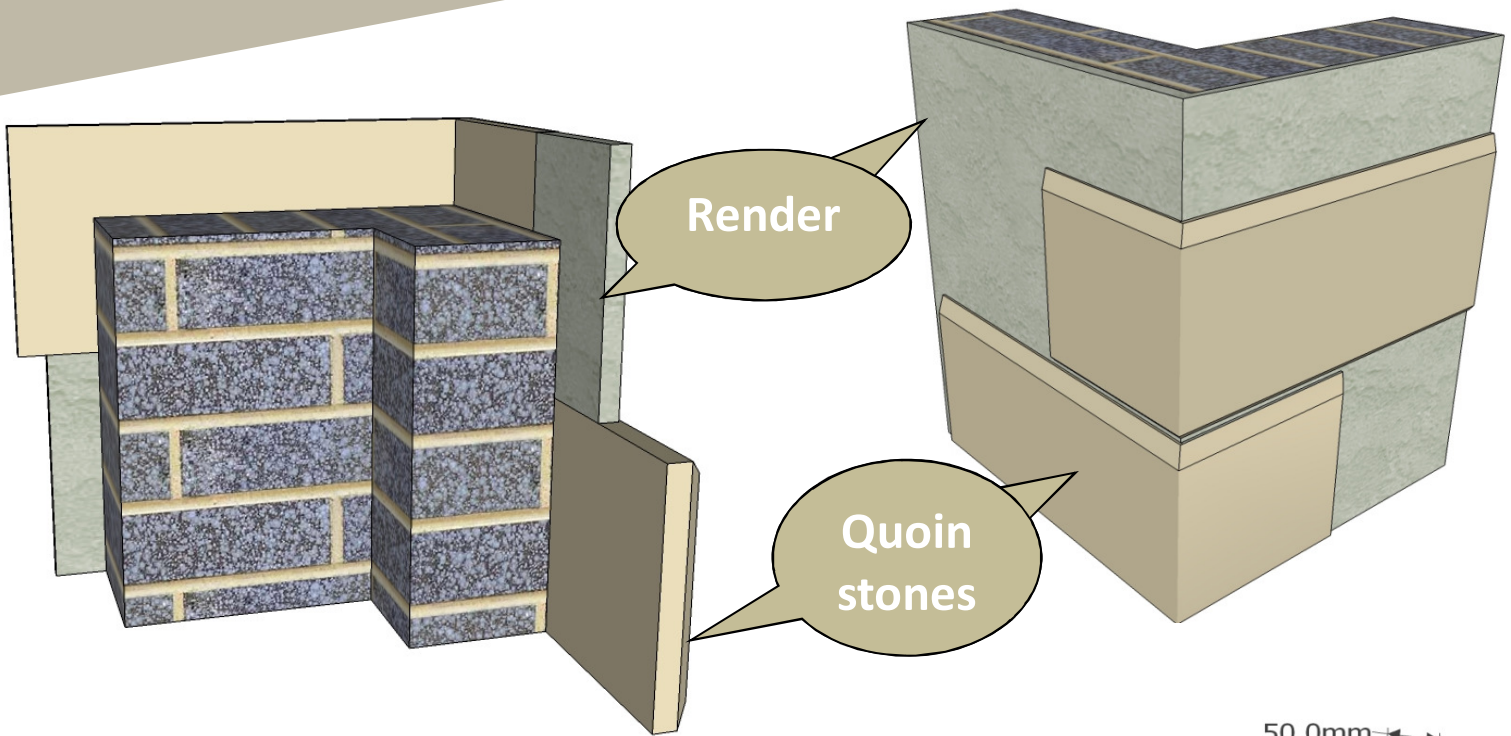
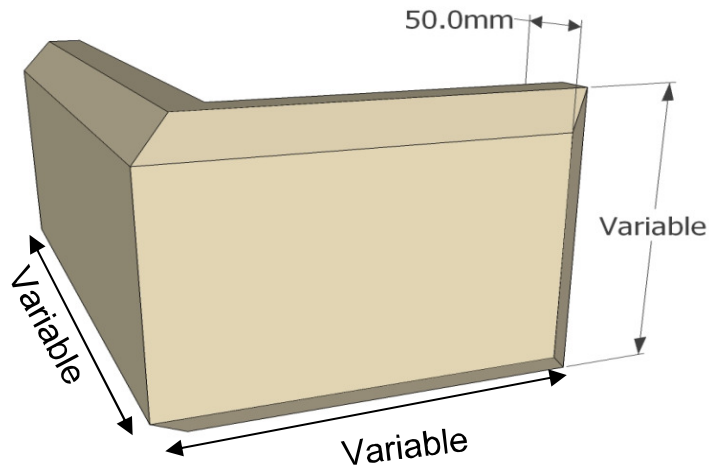


Cladding Return Quoin Stones



Cladding quoins are usually fitted to existing block-work walls before the render is applied. The render is then brought up to the edge of the chamfer on the cladding quoin.



Information we'll need to make your order:

- Both leg lengths and height dimensions
- The overall quantity you require

Contact Us Today

T: 01392 851822

F: 01392 851833

E: caststone@thorvertonstone.co.uk

W: www.thorvertonstone.co.uk

Scan the QR Code
for more Quoin
Stones

