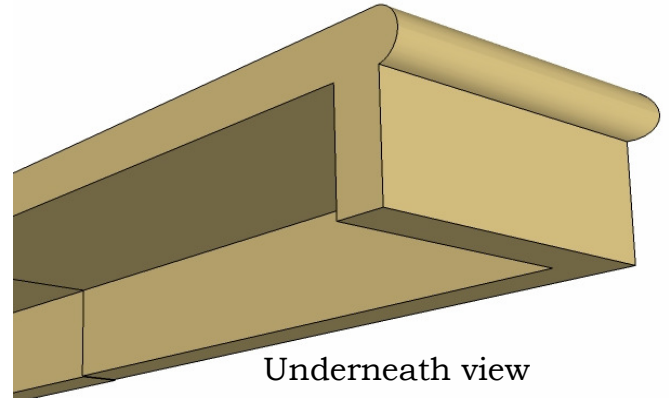
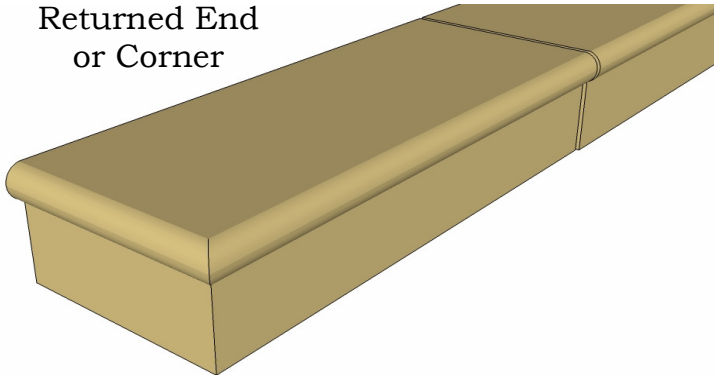
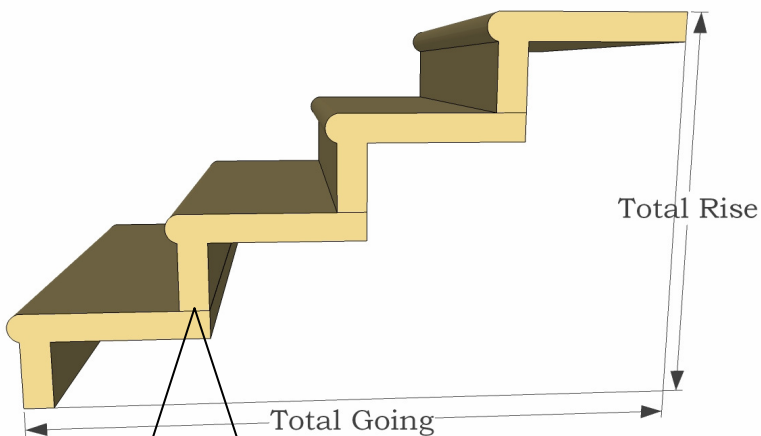


Steps

Returned End
or Corner

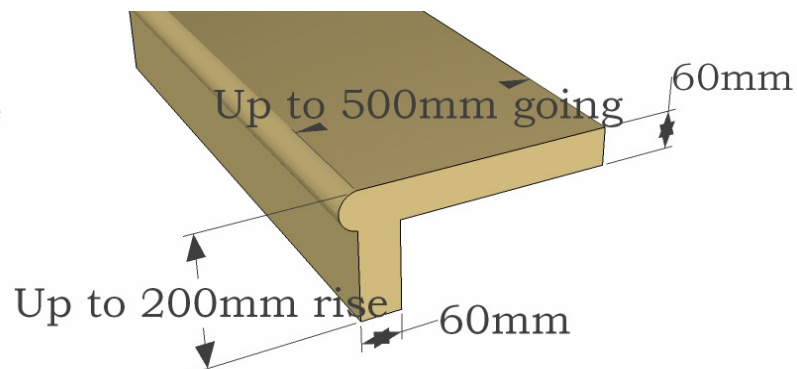


Underneath view



When measuring for your steps,
don't forget to allow for the
joints (sides & risers)

Dimension information



The steps **do** require support
underneath. Stringers at
500mm centres or blocks.

When laying them, it is a good idea
to “butter” the ends thoroughly. This
will make the pointing much easier!

Manufacturers of Reconstructed Stone Architectural Dressings

Seychelles Farm T: 01392 851822
Upton Pyne F: 01392 851833
Exeter E: caststone@thorvertonstone.co.uk
Devon EX5 5HY W: www.thorvertonstone.co.uk
Registered in England & Wales No. 3530364