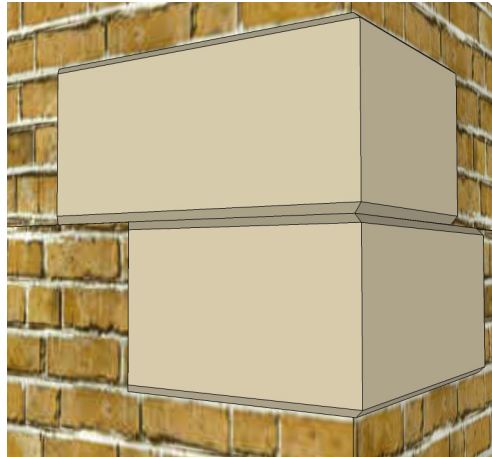
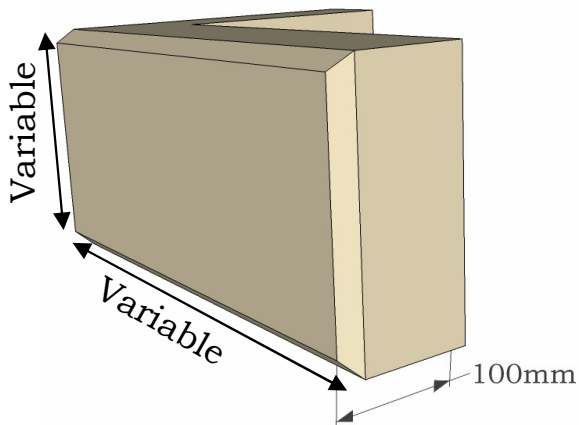
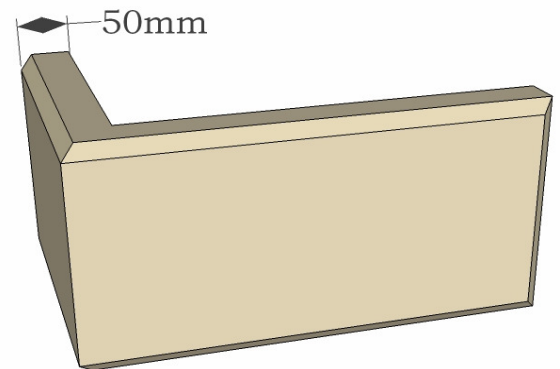


## Quoin Stones

**Return Quoin**  
to be built into the wall

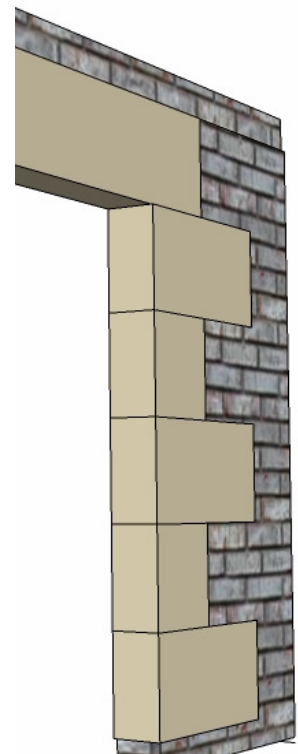
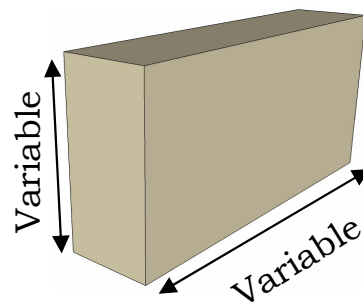


**Return Cladding Quoin**  
to be fixed to an  
existing wall



Our quoins can  
have a simple square  
edge or a chamfered  
edge as shown

## Reveal Quoins



### Manufacturers of Reconstructed Stone Architectural Dressings

Seychelles Farm T: 01392 851822  
 Upton Pyne F: 01392 851833  
 Exeter E: [caststone@thorvertonstone.co.uk](mailto:caststone@thorvertonstone.co.uk)  
 Devon EX5 5HY W: [www.thorvertonstone.co.uk](http://www.thorvertonstone.co.uk)  
 Registered in England & Wales No. 3530364