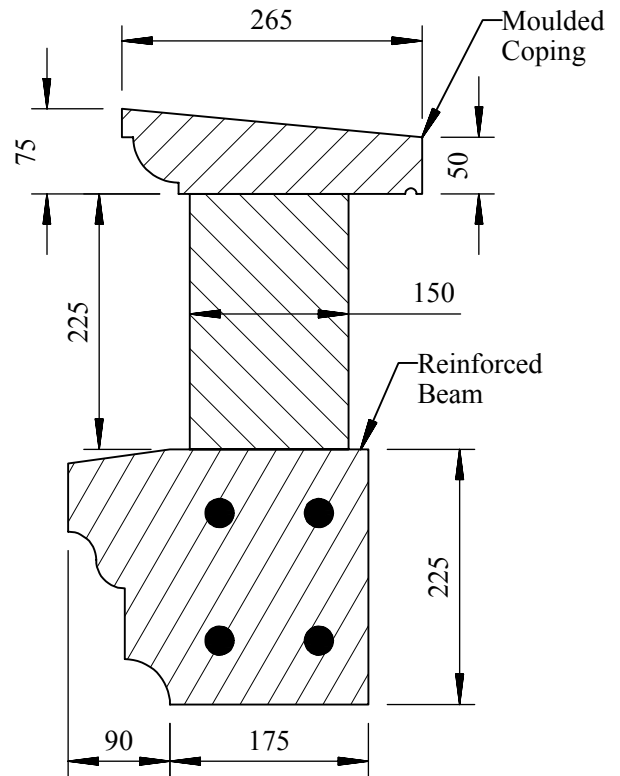
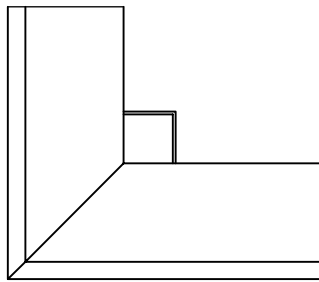


PORTICO DETAIL Type B



Roof structure not supplied;
to be arranged by customer



1000mm Wall Face
to Column Centre
(Variable)

