

## Information Sheet Fireplace Surrounds



Thorverton Stone fireplaces are made to look at home in any room, be it small or large, traditional or modern. They are strong, durable and long lasting.

All of our fireplaces are sealed prior to delivery. The sealant aids cleaning and helps to minimise marking from spills.

We have six main designs in our range, which can be made in any of our cast stone colours. Opening sizes can be altered to suit your specification. They can be provided with or without a hearth.

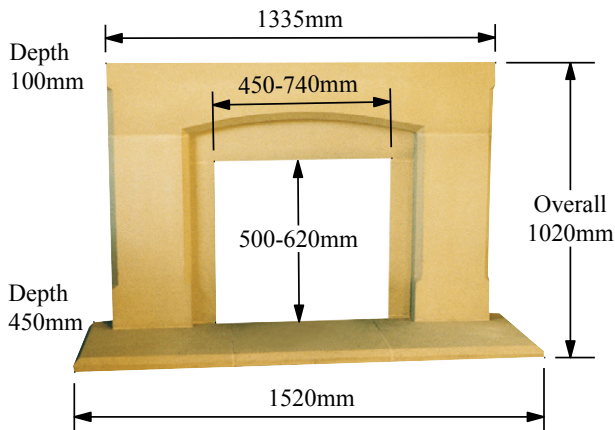
For the DIY enthusiast, installation of our fireplaces is straightforward as we supply the necessary brackets, instructions and pointing mix. For the less keen on DIY, we recommend the employment of a local builder.

In addition, we are always interested in talking to our customers about any individual requirements they might have.

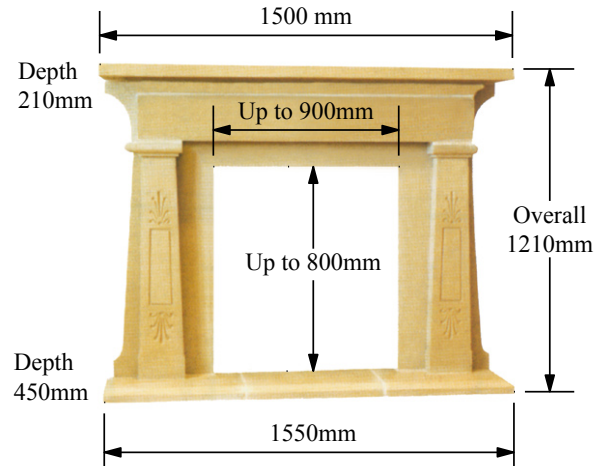
*Please turn over to see our designs.*

**Information Sheet  
Fireplace Surrounds**

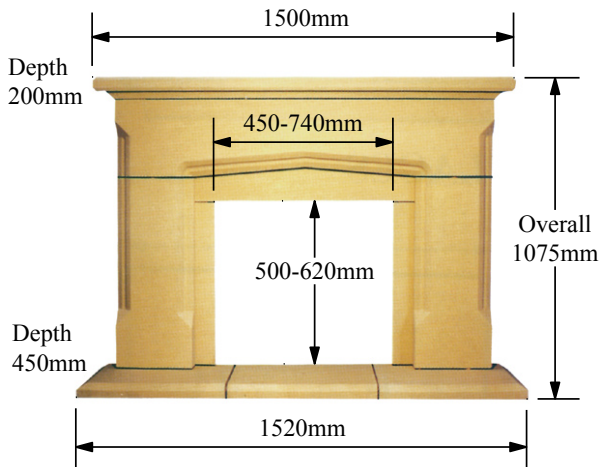
**1. THE CLASSIC**



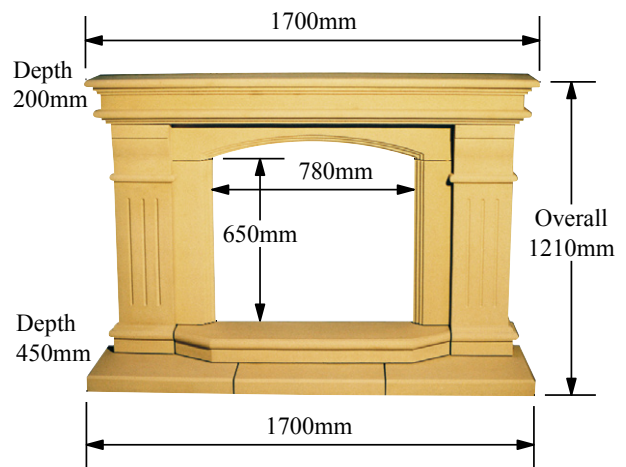
**4. THE BALMORAL**



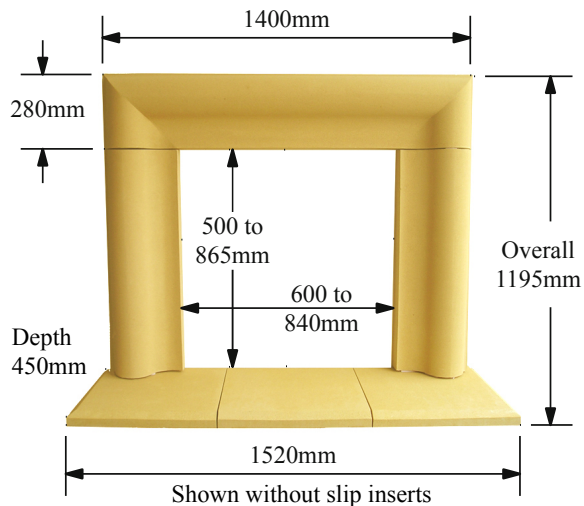
**2. THE MANOR  
(available without mantle shelf)**



**5. THE BUCKINGHAM**



**3. THE OXFORD**



**6. THE GROSVENOR**

