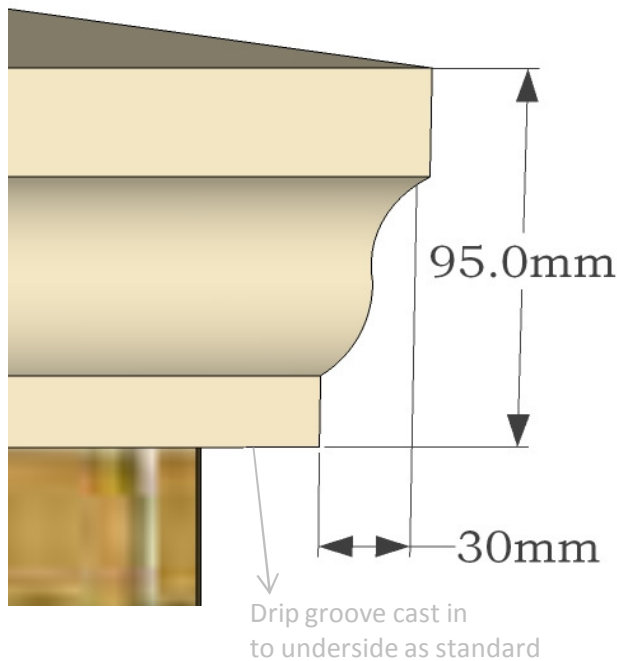
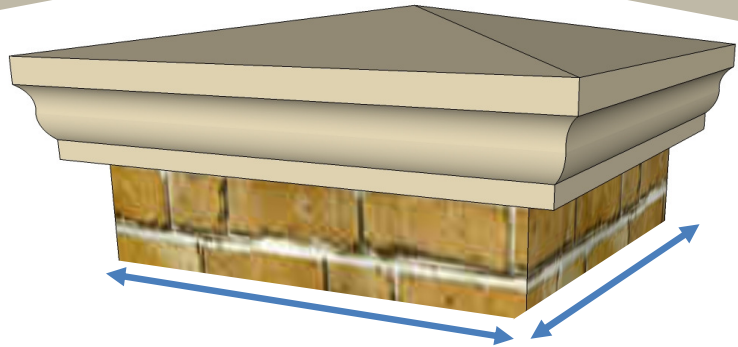


Moulded Pier Cap



Tell us the size of your pier and we'll manufacture a pier cap to fit it

The overall height of the cap depends on the width (the bigger the cap, the higher it is)

If there are special requirements such as gate posts or nearby walls to consider, let us know and we'll adjust the dimensions to fit

A Moulded pier cap will overhang your pier by 60mm on each side (120mm overall) at its widest point

Information we'll need to make your order:

- The size of your pier(s)
- How many pier caps you need
- Any special requirements - such as restricted space

Contact Us Today

T: 01392 851822

F: 01392 851833

E: caststone@thorvertonstone.co.uk

W: www.thorvertonstone.co.uk

Scan the QR Code
for more about
Pier Caps



Manufacturers of Cast Stone Architectural Dressings